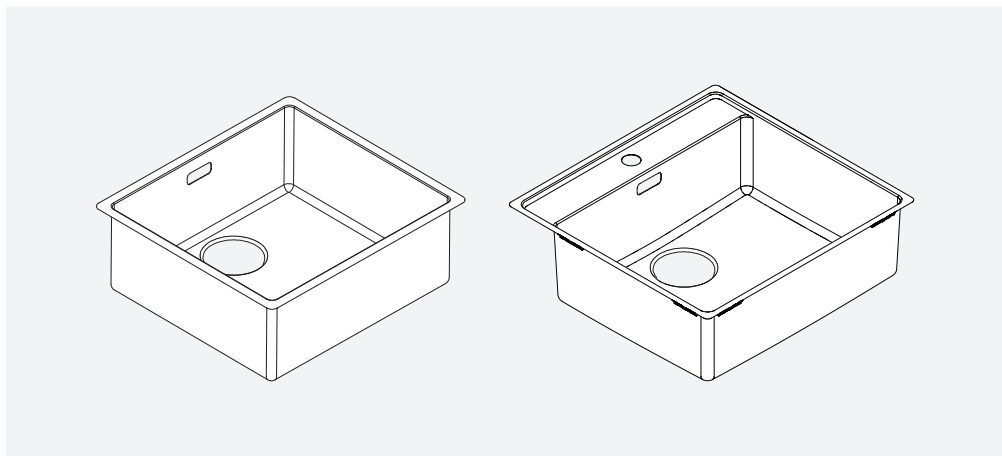
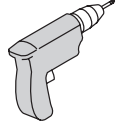
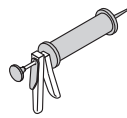
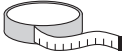


# Maris

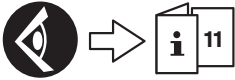


## MRX 110/210/120/220

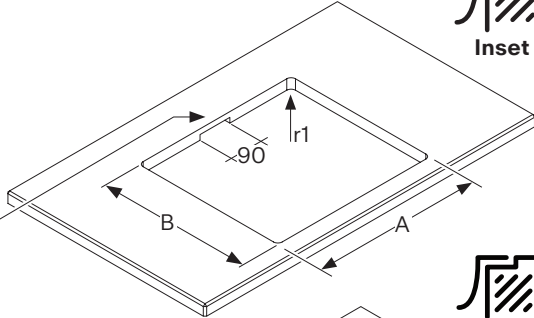
|           |  |                                       |
|-----------|--|---------------------------------------|
| <b>EN</b> | Installation and user manual               | Stainless Steel Sinks                 |
| <b>DE</b> | Installations- und Gebrauchsanweisung      | Edelstahlspülen                       |
| <b>FR</b> | Manuel d'installation et mode d'emploi     | Eviers en acier inoxydable            |
| <b>NL</b> | Installatie- en gebruikershandleiding      | Roestvrijstalen spoelbakken           |
| <b>IT</b> | Manuale per l'installazione e l'uso        | Lavelli in acciaio inossidabile       |
| <b>ES</b> | Manual de instalación y servicio           | Fregaderos de acero inoxidable        |
| <b>PT</b> | Manual de instalação e de assistência      | Lava-loiças em aço inoxidável         |
| <b>EL</b> | Εγκατάσταση και εγχειρίδιο συντήρησης      | Νεροχύτες από ανοξείδωτο χάλυβα       |
| <b>DA</b> | Installations- og servicevejledning        | Vaske i rustfrit stål                 |
| <b>NO</b> | Installasjons- og servicemanual            | Vasker i rustfri stål                 |
| <b>SV</b> | Installations- och servicehandbok          | Rostfria diskbänkar                   |
| <b>CS</b> | Montážní a servisní návod                  | Nerezové dřezy                        |
| <b>PL</b> | Instrukcja montażu i obsługi               | Zlewozmywaki ze stali nierdzewnej     |
| <b>SK</b> | Návod na inštaláciu a obsluhu              | Výlevky z nehrdzavejúcej ocele        |
| <b>RO</b> | Manual de instalare și service             | Chiuvete din oțel inoxidabil          |
| <b>BG</b> | Ръководство за монтаж и обслужване         | Мивки от неръждаема стомана           |
| <b>UK</b> | Посібник зі встановлення та обслуговування | Мийки з нержавіючої сталі             |
| <b>RU</b> | Руководство по установке и обслуживанию    | Мойки из нержавеющей стали            |
| <b>TR</b> | Kurulum ve kullanım kılavuzu               | Paslanmaz Çelik Evyeler               |
| <b>ZH</b> | 安装和维修手册                                    | 不锈钢槽                                  |
| <b>AR</b> | دليل التركيب والاستعمال                    | أحواض مصنوعة من الفولاذ المقاوم للصدأ |



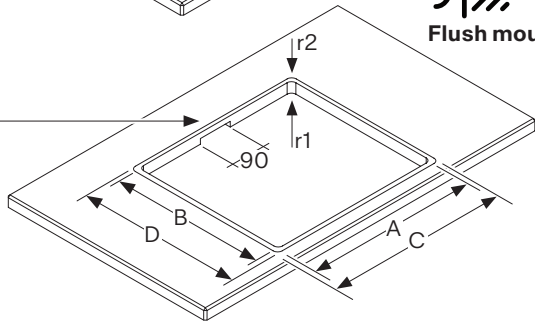
**i** **A**



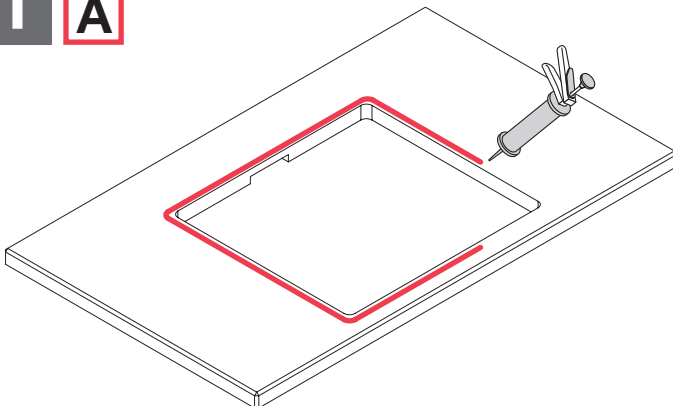
Inset



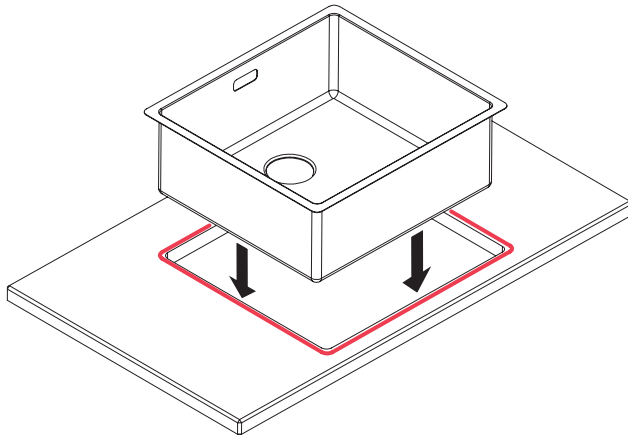
Flush mount



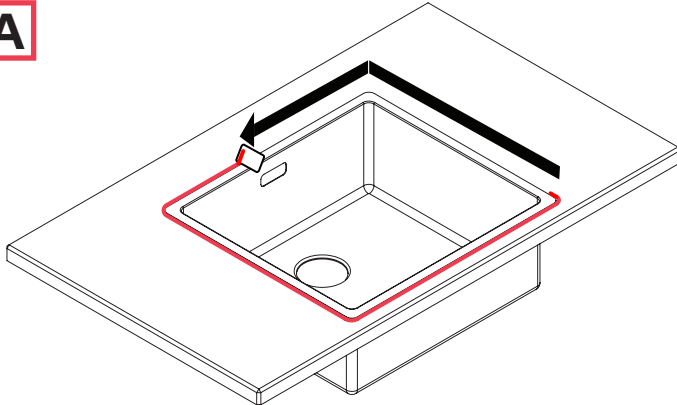
**1** **A**



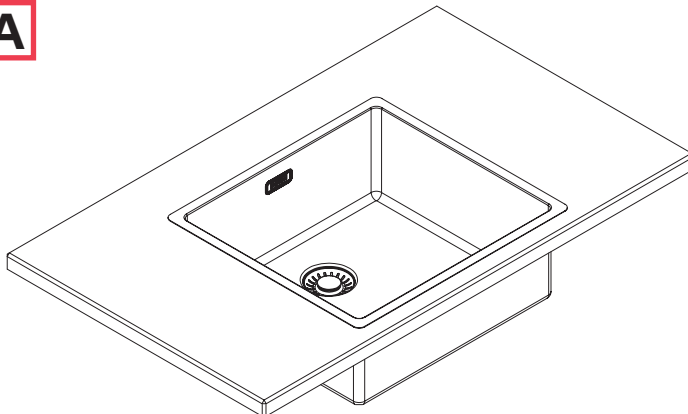
---

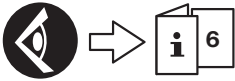
**2****A**

---

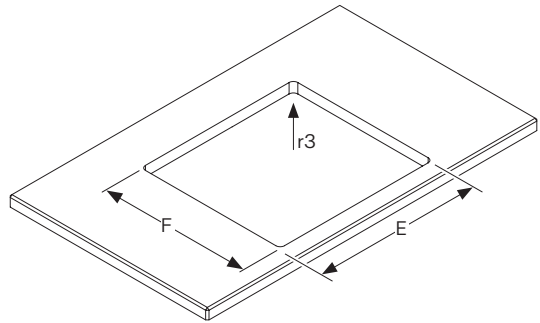
**3****A**

---

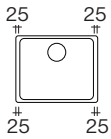
**4****A**



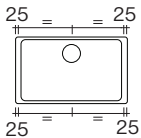
Undermount



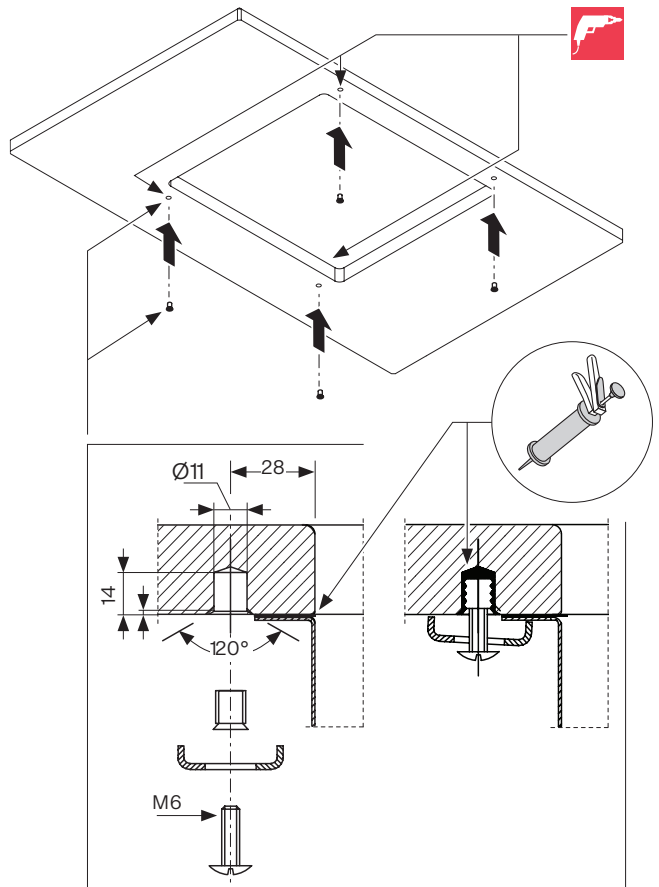
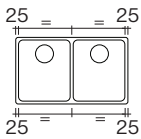
MRX 110 19 -  
MRX 110 55



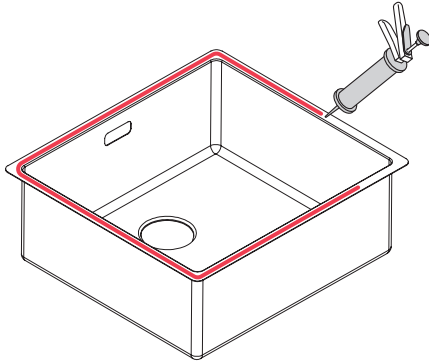
MRX 110 70



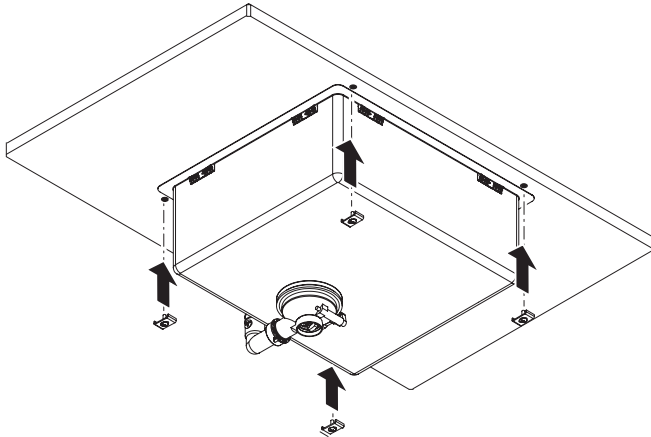
MRX 120 34-19 -  
MRX 120 40-40



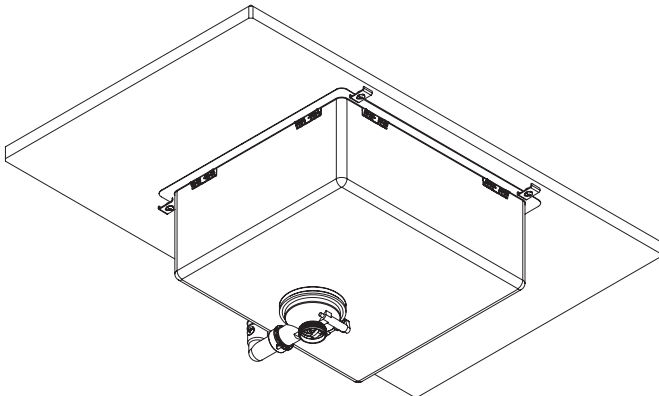
---

**2****B**

---

**3****B**

---

**4****B**



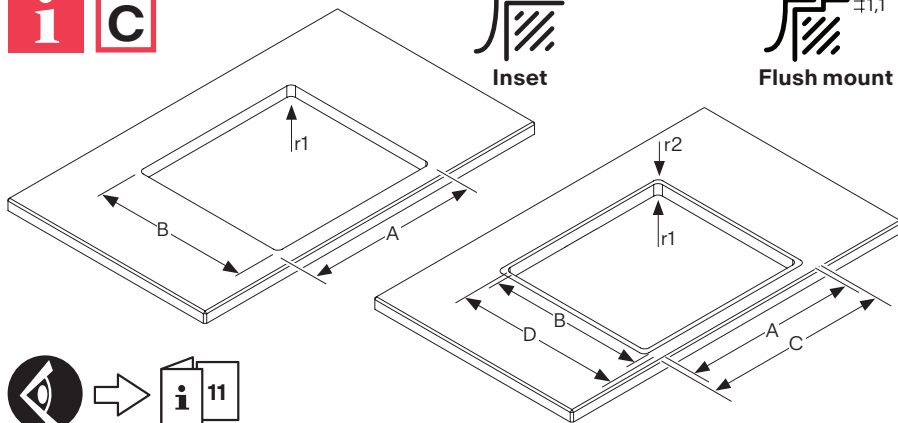
**Undermount**

| <b>Model</b>     | <b>A</b> | <b>B</b> | <b>C</b> | <b>D</b> | <b>E</b> | <b>F</b> | <b>r1</b> | <b>r2</b> | <b>r3</b> |
|------------------|----------|----------|----------|----------|----------|----------|-----------|-----------|-----------|
| MRX 110 19       |          |          |          |          |          | 190      | 400       |           | 16        |
| MRX 110 34       |          |          |          |          |          | 340      | 400       |           | 16        |
| MRX 110 40       |          |          |          |          |          | 400      | 400       |           | 16        |
| MRX 110 45       |          |          |          |          |          | 450      | 400       |           | 16        |
| MRX 110 50       |          |          |          |          |          | 500      | 400       |           | 16        |
| MRX 110 55       |          |          |          |          |          | 550      | 400       |           | 16        |
| MRX 110 70       |          |          |          |          |          | 700      | 400       |           | 16        |
| MRX 120<br>34-19 |          |          |          |          |          | 555      | 400       |           | 16        |
| MRX 120<br>34-34 |          |          |          |          |          | 705      | 400       |           | 16        |
| MRX 120<br>40-40 |          |          |          |          |          | 825      | 400       |           | 16        |

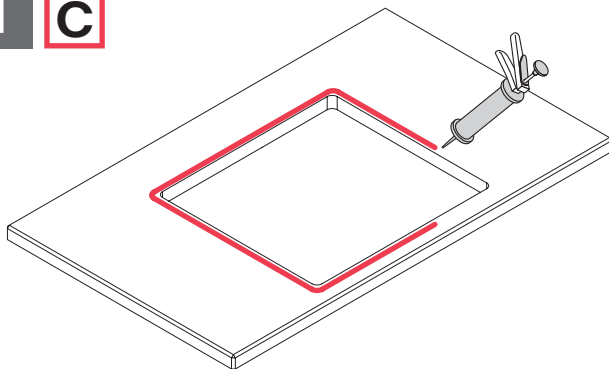
**i** **C**

  
Inset

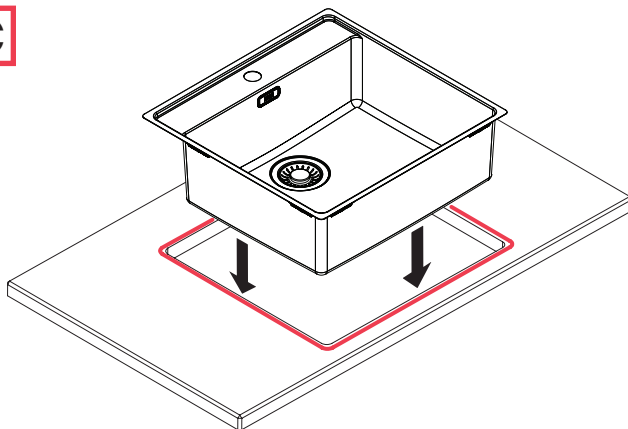
 ±1,1  
Flush mount

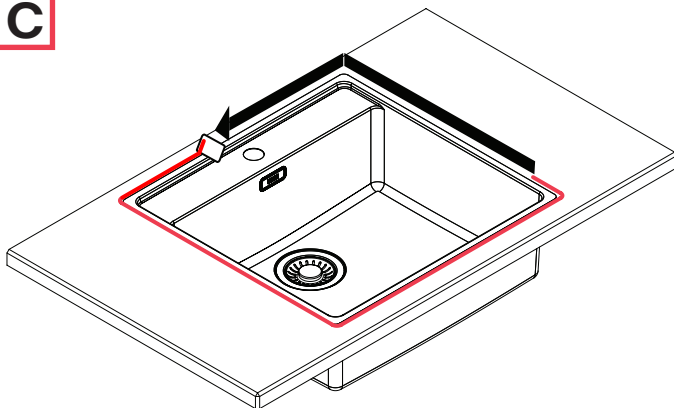
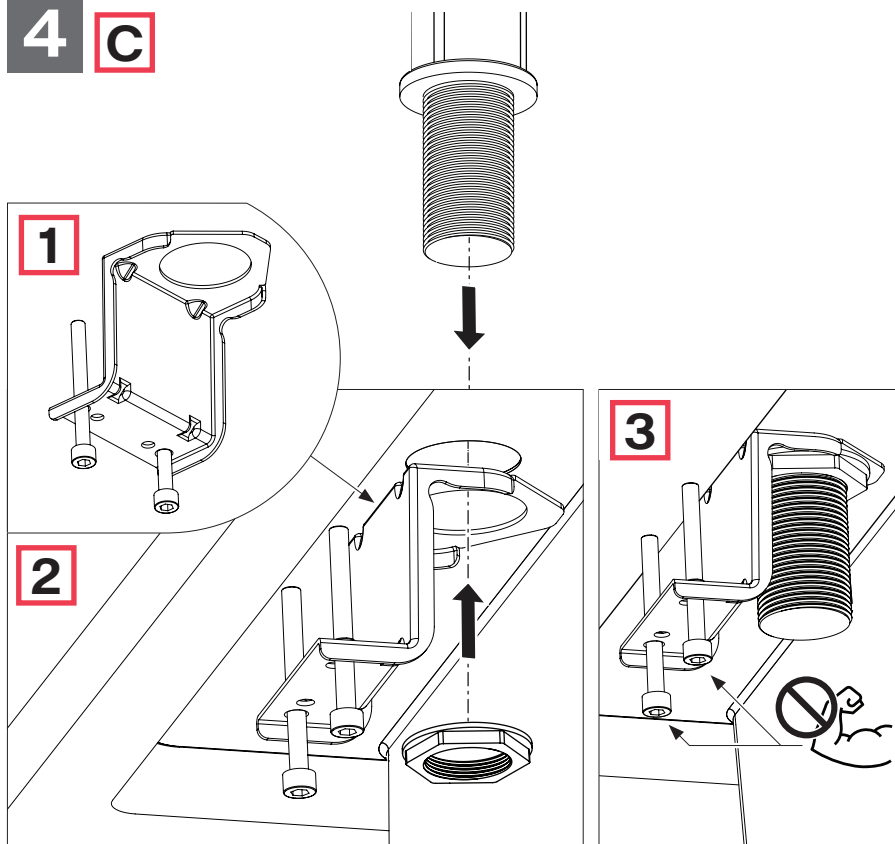


 **1** **C**



**2** **C**

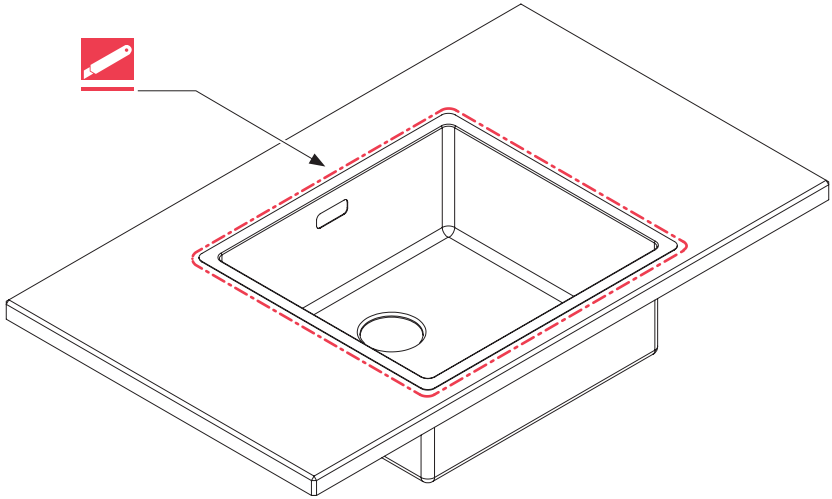


**3****C****4****C**

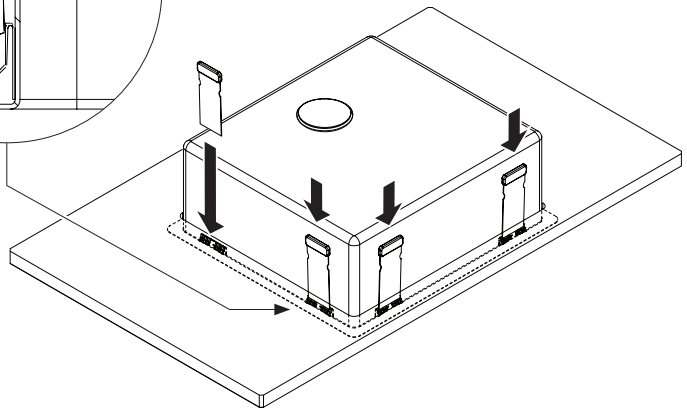
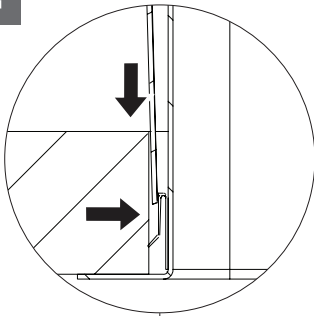




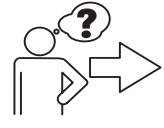
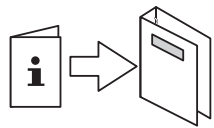
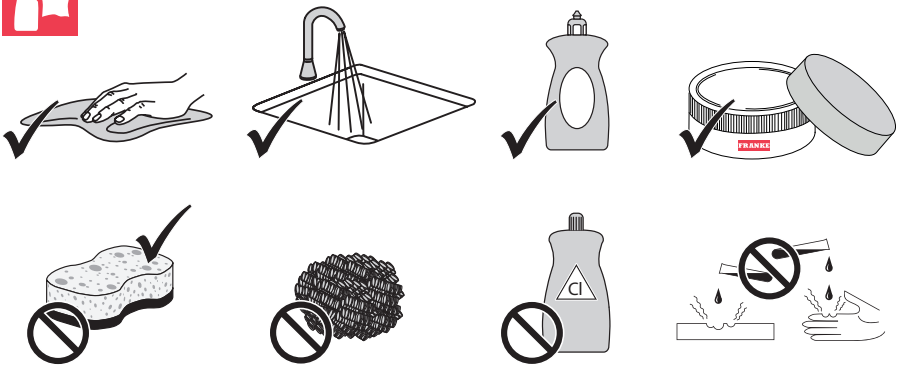
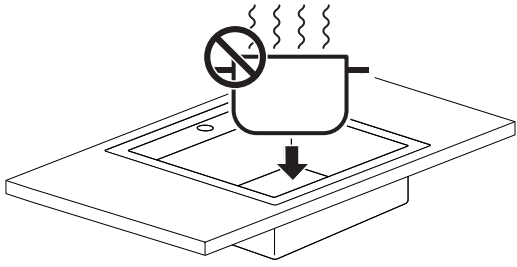
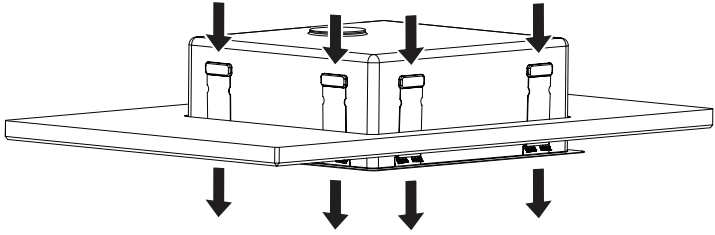
1



2



3



franke.com



**Inset**



**Flush mount**

| <b>Model</b>     |  | <b>A</b> | <b>B</b> | <b>C</b> | <b>D</b> | <b>E</b> | <b>F</b> | <b>r1</b> | <b>r2</b> | <b>r3</b> |
|------------------|--|----------|----------|----------|----------|----------|----------|-----------|-----------|-----------|
| MRX 210 19       |  | 200      | 410      | 232      | 442      |          |          | 10        | 11        |           |
| MRX 210 34       |  | 350      | 410      | 382      | 442      |          |          | 10        | 11        |           |
| MRX 210 40       |  | 410      | 410      | 442      | 442      |          |          | 10        | 11        |           |
| MRX 210 45       |  | 460      | 410      | 492      | 442      |          |          | 10        | 11        |           |
| MRX 210 50       |  | 510      | 410      | 542      | 442      |          |          | 10        | 11        |           |
| MRX 210 55       |  | 560      | 410      | 592      | 442      |          |          | 10        | 11        |           |
| MRX 210 70       |  | 710      | 410      | 742      | 442      |          |          | 10        | 11        |           |
| MRX 220<br>34-19 |  | 565      | 410      | 593      | 438      |          |          | 10        | 11        |           |
| MRX 220<br>34-34 |  | 715      | 410      | 743      | 438      |          |          | 10        | 11        |           |
| MRX 220<br>40-40 |  | 835      | 410      | 863      | 438      |          |          | 10        | 11        |           |
| MRX 210 40<br>TL |  | 410      | 490      | 432      | 512      |          |          | 10        | 11        |           |
| MRX 210 50<br>TL |  | 510      | 490      | 532      | 512      |          |          | 10        | 11        |           |
| MRX 210 70<br>TL |  | 710      | 490      | 732      | 512      |          |          | 10        | 11        |           |

**Argentina**

Industrias Spar  
San Luis S.A.  
Buenos Aires 1008  
Phone +54 11 4311 7655

**Australia**

Franke Australia  
Dandenong South VIC 3175  
Phone: +61 3 9700 9100

**Belgium**

Franke N.V.  
9400 Ninove  
Phone +32 54 310 111

**Brazil**

Franke Sistemas de  
Cozinhas Ltda  
89.219-600 Joinville-SC  
Phone 0800-4773000

**Canada**

Franke Kindred Canada Ltd.  
Midland, ON L4R 4K9  
Phone +1 866 687 7465

**China**

Franke (China) Kitchen  
Systems Co., Ltd.  
Heshan, Guangdong,  
529700  
Phone 400 882 9898

**Czech Republic**

Franke s.r.o.  
190 00 Praha 9  
Phone +420 281 090 445

**Denmark**

Franke KS Denmark  
8520 Lystrup  
Phone +45 8624 9024

**Finland**

Franke Finland Oy  
76850 Naarajärvi  
Phone +358 15 341 11

**France**

Franke France S.A.S.  
60230 Chambly  
Phone +33 130 289 400

**Germany**

Franke GmbH  
79713 Bad Säckingen  
Phone +49 7761 52 199

**Greece**

Franke Hellas S.A.  
19003 Markopoulo Attikis  
(Athens)  
Phone +30 22991 500 00

**Hong Kong SAR**

Franke Asia Hong Kong  
Quarry Bay  
Phone +852 3184 1900

**India**

Franke Faber India Private  
Limited  
Pune 412208  
Phone 1800 209 3484

**Italy**

Franke S.p.A.  
37019 Peschiera del Garda  
Toll-free number  
800 359 359

**Kazakhstan**

Franke Kazakhstan Ltd.  
040918 Almaty City  
Phone +7 727 297 3812

**New Zealand**

Franke Australia  
Dandenong South VIC 3175  
Phone: +64 9 964 0400

**Norway**

Franke KS Norway  
8520 Lystrup, Denmark  
Phone +47 35 566 450

**Poland**

Franke Polska Sp. z o.o.  
05-090 Raszyn  
Phone +48 22 711 6700

**Portugal**

Franke Portugal S.A.  
2735-531 Cacém  
Phone +351 21 426 9670

**Romania**

Franke Romania SRL  
Pantelimon 077145  
Phone +40 21 350 1550

**Russia**

Franke Russia GmbH  
248033 Kaluga  
Phone +7 800 555 1255

**Singapore**

Franke Singapore Pte Ltd  
33 Ubi Ave 3  
01-38 Vertex  
Phone +65 9838 2542

**Slovak Republic**

Franke Slovakia s.r.o.  
013 24 Strečno  
Phone +420 281 090 445

**South Africa**

Franke South Africa  
Durban 4052  
Phone +27 31 450 6300

**Spain**

Franke España S.A.U.  
08174 Sant Cugat del Vallès  
Phone +34 934 456 768

**Sweden**

Franke Futurum AB  
930 47 Byske  
Phone +46 912 405 00

**Switzerland**

Franke Küchentechnik AG  
4663 Aarburg  
Phone +41 800 583 243

**Thailand**

Franke (Thailand) Co., Ltd.  
Bangkok 10110  
Phone +66 2 013 7900

**The Netherlands**

Franke Nederland B.V.  
5700 AD Helmond  
Phone +31 492 585 111

**Turkey**

Franke Mutfak ve Banyo  
Sistemleri Sanayi  
ve Ticaret A.S.  
41480 Gebze Kocaeli/  
Turkey  
Phone +90 262 644 6595

**Ukraine**

Franke Ukraina LLC  
01042 Kyiv  
Phone 0 800 301 801

**United Kingdom**

Franke UK Ltd.  
Manchester M22 5WB  
Phone +44 161 436 6280

**USA**

Franke Home Solutions  
North America, LLC  
Smyrna, TN 37167  
Phone 1 800 626 5771